



Have a Question?
 Chat with a Product
 Information Specialist

What can we help you find?

[Products](#) [Industries](#) [Resources](#) [About TE](#) [My Account](#) [Innovation](#) [Support Center](#)

5225398-7 Product Details

[Share](#) [Print](#) [Email](#)



5225398-7

TE Internal Number: 5225398-7

Active

[View 3D PDF](#)

BNC RF Connectors

Always EU RoHS/ELV Compliant (Statement of Compliance)

Product Highlights:

- Connector - RF
- Jack
- Connector Style = Jack
- Applies To Coaxial Cable
- Coaxial Cable Termination Type = Crimp

[View all Features](#)

Quick Links

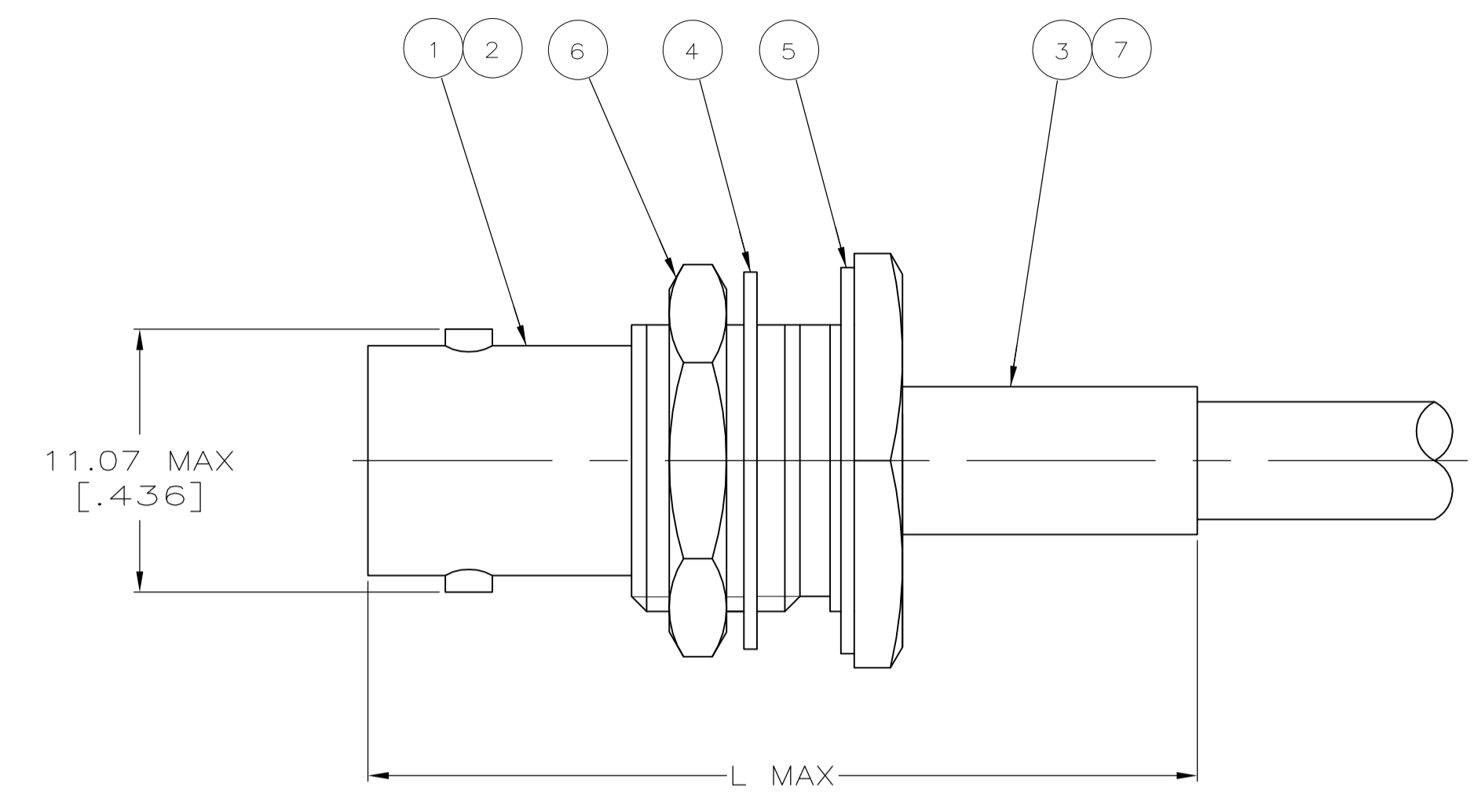
- ▶ [Pricing & Availability](#)
- ▶ [Search for Tooling](#)
- ▶ [Product Feature Selector](#)
- ▶ [Contact Us About This Product](#)

[Add to My Part List](#) [Request Sample](#) [Find Similar Products](#) [Buy Product](#)

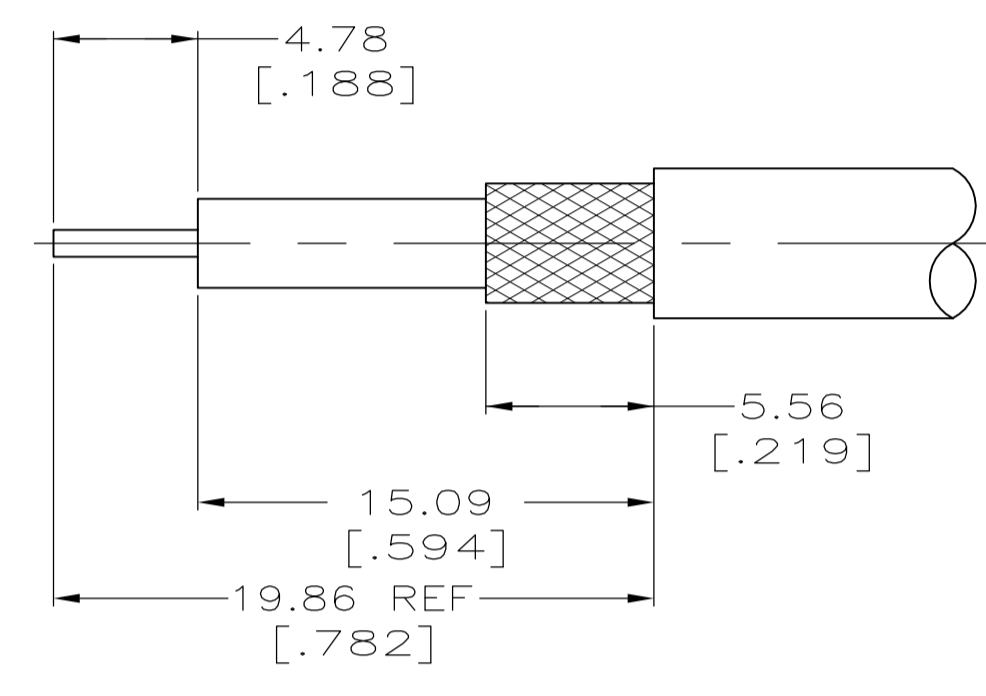
Documentation & Additional Information	
<p>Product Drawings:</p> <ul style="list-style-type: none"> • JACK, BULKHEAD, BNC (PDF, English) <p>Catalog Pages/Data Sheets:</p> <ul style="list-style-type: none"> • BNC Connectors (PDF, English) <p>Product Specifications:</p> <ul style="list-style-type: none"> • None Available <p>Application Specifications:</p> <ul style="list-style-type: none"> • None Available <p>Instruction Sheets:</p> <ul style="list-style-type: none"> • None Available <p>CAD Files: (CAD Format & Compression Information)</p> <ul style="list-style-type: none"> • 2D Drawing (DXF, Version 0) • 3D Model (IGES, Version 0) • 3D Model (STEP, Version 0) 	<p>Related Products:</p> <ul style="list-style-type: none"> • Tooling

[List all Documents](#)

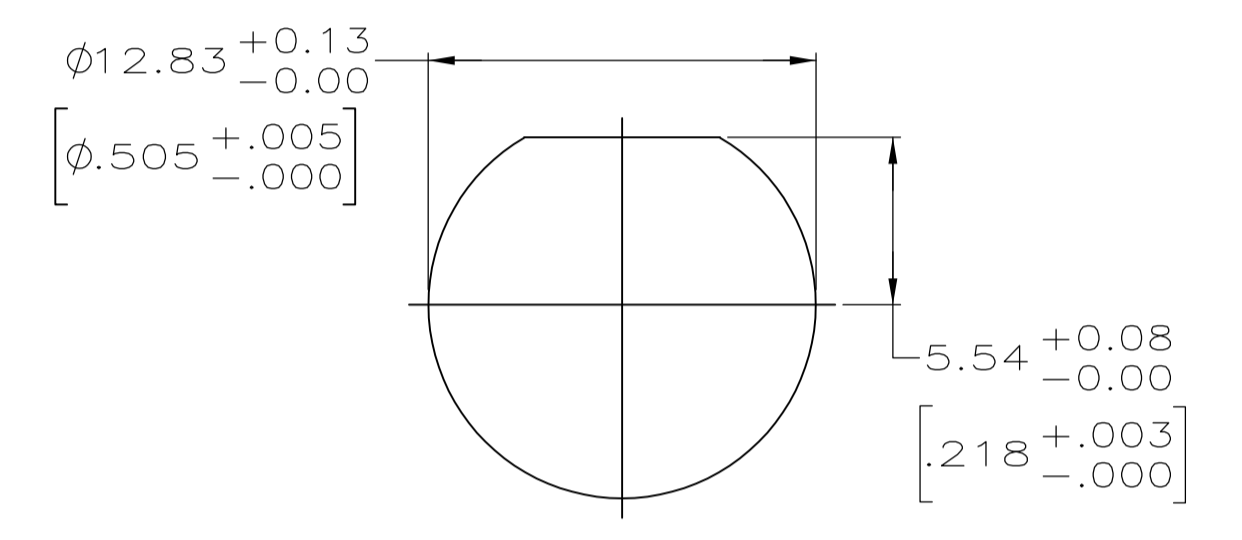
Product Features (Please use the Product Drawing for all design activity)	
<p>Product Type Features:</p> <ul style="list-style-type: none"> • Product Type = Connector - RF • Gender = Jack • Grade = Military • Sealed = No • Isolated = No • Dielectric Material = Fluoropolymer • Coupling Nut Material = Brass • Solder Terminal = Without <p>Mechanical Attachment:</p> <ul style="list-style-type: none"> • Surface Mountable = No • Hardware Included = No • Panel Mount Retention = With • Panel Mount Retention Type = Bulkhead • Panel Attachment Style = Rear Mount <p>Electrical Characteristics:</p> <ul style="list-style-type: none"> • Connector Impedance (Ω) = 50 <p>Termination Features:</p> <ul style="list-style-type: none"> • Coaxial Cable Termination Type = Crimp • Crimp Type = Dual <p>Body Features:</p> <ul style="list-style-type: none"> • Body Style = Straight • Body Plating = Nickel • Body Insulation = Without • Polarized = No 	<p>Contact Features:</p> <ul style="list-style-type: none"> • Center Contact Material = Beryllium Copper • Center Contact Plating = Gold <p>Housing Features:</p> <ul style="list-style-type: none"> • Connector Style = Jack <p>Configuration Features:</p> <ul style="list-style-type: none"> • Coaxial Cable Type (RG/U or Mfg.) = 174, 188 • Number of Ports = 1 <p>Industry Standards:</p> <ul style="list-style-type: none"> • Government/Industry Qualification = No • RoHS/ELV Compliance = RoHS compliant, ELV compliant • Lead Free Solder Processes = Not relevant for lead free process • RoHS/ELV Compliance History = Always was RoHS compliant <p>Conditions for Usage:</p> <ul style="list-style-type: none"> • Applies To = Coaxial Cable <p>Other:</p> <ul style="list-style-type: none"> • Brand = AMP



1. MAXIMUM PANEL THICKNESS = 6.10 [.240]
2. USE INSTRUCTION SHEET 408-1914-03



RECOMMENDED PANEL CUTOUT



RECOMMENDED PANEL CUTOUT

34.93	[1.375]	RD-316 DOUBLE BRAIDED	-	69477-2	21427-4	1-329631-2	1-329632-2	329633	9-329049-0	1-331368-2	1-331786-6	1-5225398-5
34.93	[1.375]	RG-179/U & 187/U CABLE	.557 OZ	220009-1	21427-4	1-329631-2	1-329632-2	329633	9-328666-0	1-331368-4	1-331786-6	5225398-8
34.93	[1.375]	RG-174/U & 188/U	.582 OZ	220009-1	21427-4	1-329631-2	1-329632-2	329633	9-328666-0	1-331368-2	1-331786-6	5225398-7
38.10	[1.500]	RG-142/U,142A/U & 142B/U	-	220189-3	-	1-329631-2	1-329632-2	329633	9-225382-0	1-331369-7	1-331786-4	5225398-6
38.10	[1.500]	RG55/U,55A/U,55B/U & 223/U	.568 OZ	69478-1	-	1-329631-2	1-329632-2	329633	9-225382-0	1-331369-6	1-331786-4	5225398-3
34.93	[1.375]	RG-58/U,58A/U,58B/U & 58C/U	.582 OZ	69478-1	-	1-329631-2	1-329632-2	329633	9-50427-1	1-331369-6	1-331786-4	5225398-1
L		CABLE	WEIGHT	CRIMP TOOL	⑦ BUSHING QTY=1	⑥ JAM NUT QTY=1	⑤ LOCK WASHER QTY=1	④ GASKET QTY=1	③ FERRULE QTY=1	② CONTACT QTY=1	① JACK ASSEMBLY QTY=1	PART NUMBER

THIS DRAWING IS A CONTROLLED DOCUMENT.

DIMENSIONS: mm [INCHES]	TOLERANCES UNLESS OTHERWISE SPECIFIED: 0. PLC ± - 1. PLC ± - 2. PLC ± 0.41 [016] 3. PLC ± - 4. PLC ± - ANGLES ± -	DRAWN A. FERNANDEZ-DUCKS 31JAN2005	APPROVED J. LIPPERT 31JAN2005	NAME JACK, BULKHEAD, BNC
MATERIAL	FINISH	SIZE A1	CAGE CODE 00779	DRAWING NO. 5225398
CUSTOMER DRAWING		SCALE 4:1	SHEET 1 OF 1	REV P

STE TE Connectivity